

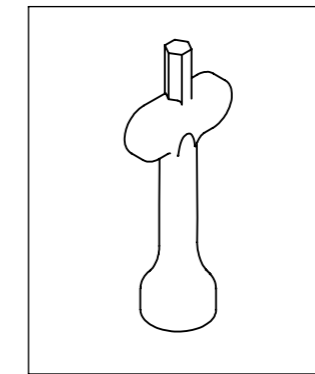
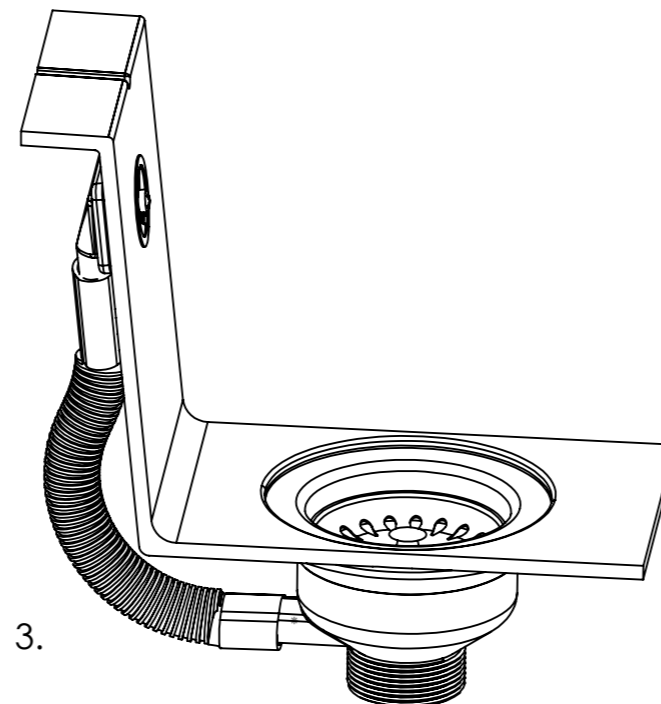
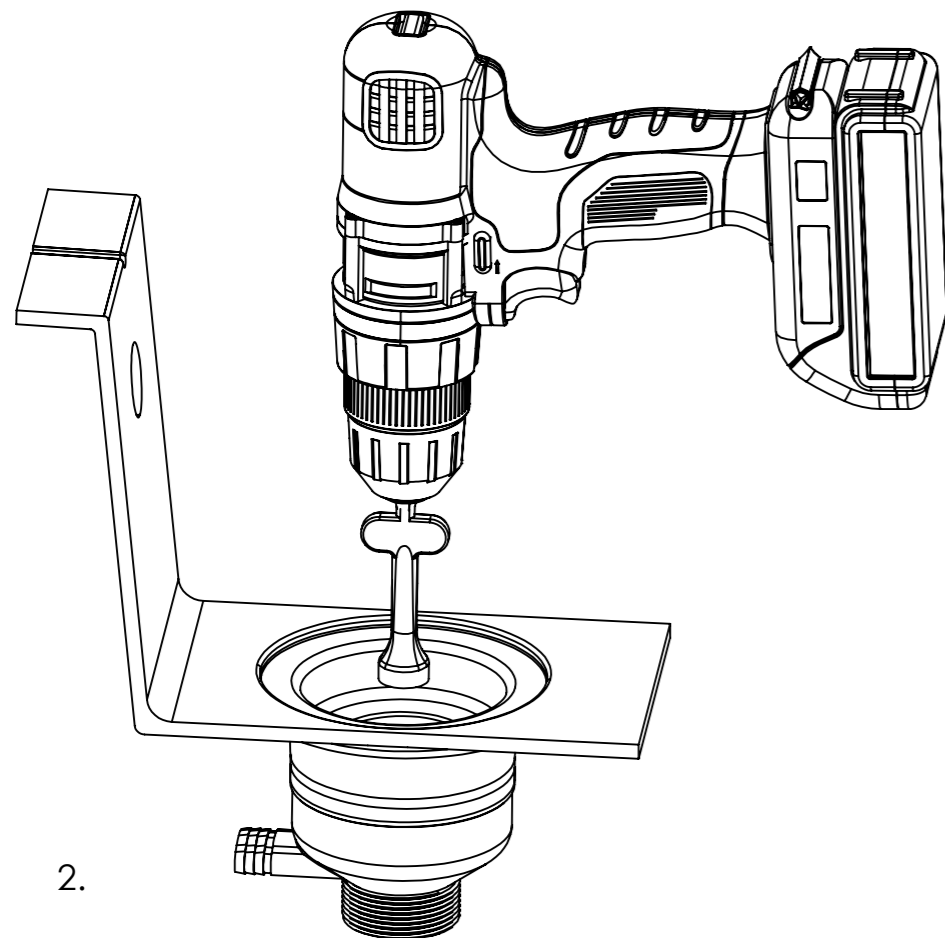
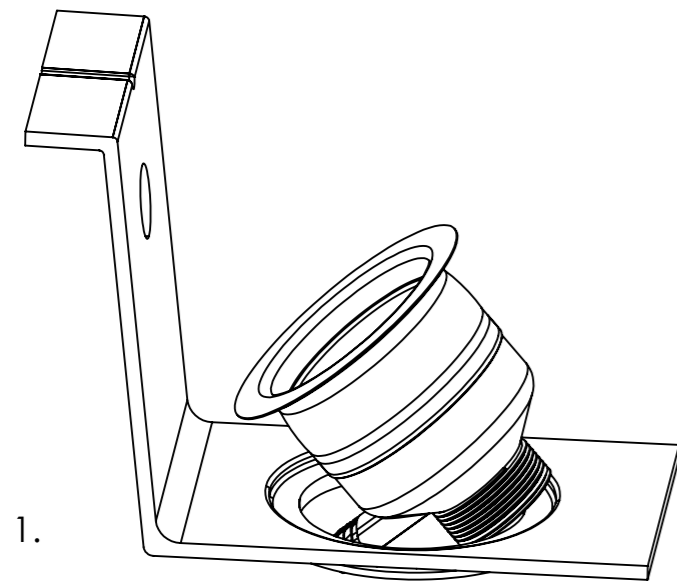


Top Fix Waste Instructions

Thank you for buying our patented product, we hope you will enjoy the easy installation.

Recommended items for installation:

- 1x 14mm Socket Tool (Supplied)
- 1x Screwdriver



1. Simply drop the waste in from above.
2. Place the Tool on the bolt and tighten the nut ensuring not to over tighten. (If using a power drill, we recommend a torque setting of 5 for optimal fitting.)
3. Fit and connect the overflow.
4. Job done.



CAUTION: IF A POWER DRILL IS USED DO NOT EXCEED TORQUE SETTING 5

TORQUE SETTINGS MAY VARY AS PER BRAND. TOOL PROVIDED IS PREFERRED.

FITS SINK THICKNESSES OF 0.5MM TO 15MM